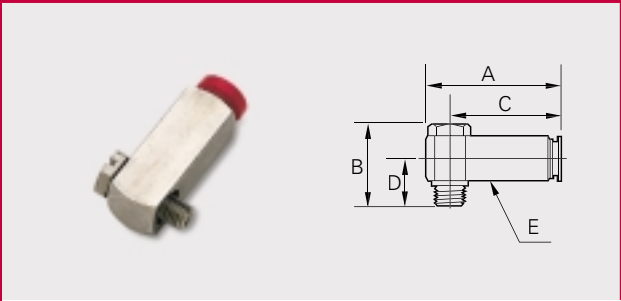
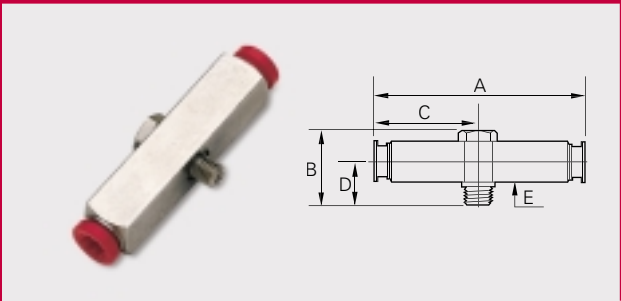


Banjo Elbow / UNF Thread



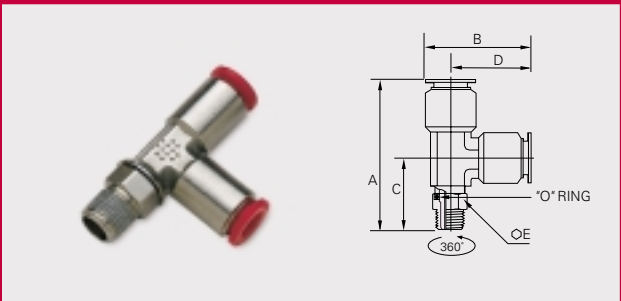
Tube O.D. in	UNF	Part Number	A in	B in	C in	D in	E in
1/8	10-32	55020	1.16	0.68	0.96	0.39	3/8
5/32	10-32	55010	1.19	0.68	0.99	0.39	3/8
1/4	10-32	55040	1.21	0.80	1.01	0.45	1/2

Banjo Tee / UNF Thread



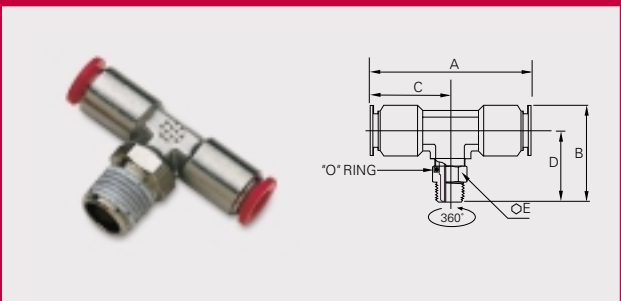
Tube O.D. in	UNF	Part Number	A in	B in	C in	D in	E in
1/8	10-32	55120	1.92	0.68	0.96	0.39	3/8
5/32	10-32	55110	1.98	0.68	0.99	0.39	3/8

Male Swivel Run Tee



Tube O.D. in	NPT	Part Number	A in	B in	C in	D in	E in
1/8	1/8	57122	1.80	1.13	0.89	0.91	7/16
5/32	1/8	57112	1.88	1.16	0.94	0.94	7/16
1/4	1/8	57142	1.92	1.22	0.94	0.98	7/16
1/4	1/4	57144	1.97	1.22	0.99	0.98	9/16
5/16	1/8	57152	1.94	1.34	0.94	1.00	7/16
5/16	1/4	57154	1.93	1.34	1.03	1.00	7/16
3/8	1/4	57164	2.45	1.65	1.14	1.31	9/16
3/8	3/8	57166	2.56	1.65	1.26	1.31	11/16
1/2	3/8	57186	2.81	1.97	1.27	1.54	11/16
1/2	1/2	57188	3.03	1.97	1.49	1.54	7/8

Male Swivel Branch Tee



Tube O.D. in	NPT	Part Number	A in	B in	C in	D in	E in
1/8	1/8	57222	1.82	1.16	0.91	0.94	7/16
5/32	1/8	57212	1.88	1.16	0.94	0.94	7/16
1/4	1/8	57242	1.96	1.18	0.98	0.94	7/16
1/4	1/4	57244	1.96	1.23	0.98	0.99	9/16
5/16	1/8	57252	2.00	1.38	1.00	1.04	7/16
5/16	1/4	57254	2.00	1.47	1.00	1.13	7/16
3/8	1/8	57262	2.61	1.51	1.31	1.17	9/16
3/8	1/4	57264	2.61	1.48	1.31	1.14	9/16
3/8	3/8	57266	2.61	1.60	1.31	1.26	11/16
1/2	1/4	57284	3.08	1.65	1.54	1.23	9/16
1/2	3/8	57286	3.08	1.69	1.54	1.27	11/16
1/2	1/2	57288	3.08	1.92	1.54	1.49	7/8



Please see page 46 for our selection of "Plastic Plugs"