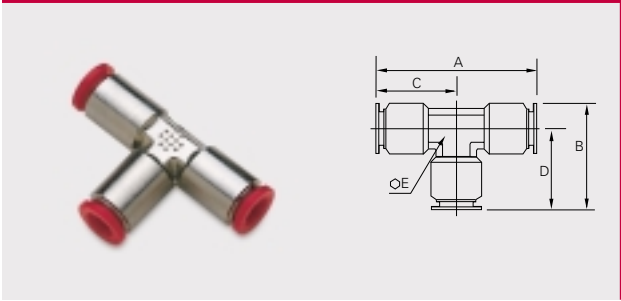
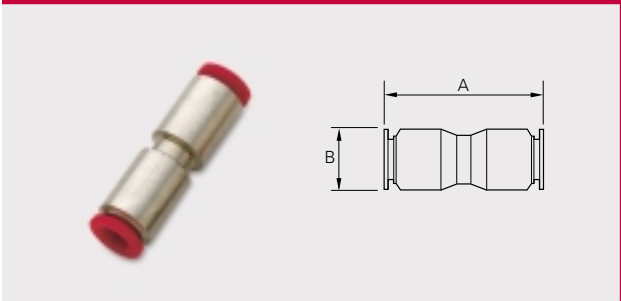


Union Tee



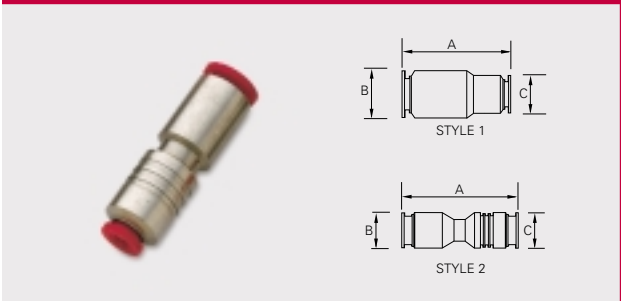
Tube O.D. in	Part Number	A in	B in	C in	D in	E in
1/8	56422	1.82	1.13	0.91	0.91	23/64
5/32	56411	1.88	1.16	0.94	0.94	23/64
1/4	56444	1.96	1.22	0.98	0.98	23/64
5/16	56455	2.00	1.34	1.00	1.00	1/2
3/8	56466	2.61	1.65	1.31	1.31	1/2
1/2	56488	3.08	1.97	1.54	1.54	5/8

Straight Union



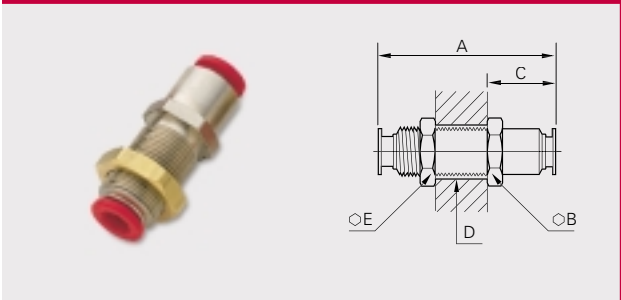
Tube O.D. in	Part Number	A in	B in
1/8	56222	1.64	0.38
5/32	56211	1.70	0.38
1/4	56244	1.74	0.50
5/16	56255	1.76	0.56
3/8	56266	2.14	0.69
1/2	56288	2.68	0.88

Union Reducer



Lg Tube O.D. (in)	Sm Tube O.D. (in)	Part Number	A in	B in	C in	Style
1/4	5/32	59741	1.76	0.50	0.50	2
1/4	1/8	59742	1.74	0.50	0.50	2
5/16	5/32	59751	1.78	0.56	0.56	2
5/16	1/4	59754	1.75	0.56	0.56	2
3/8	5/32	59761	1.99	0.69	0.47	1
3/8	1/8	59762	1.96	0.69	0.47	1
3/8	1/4	59764	1.97	0.69	0.50	1
3/8	5/16	59765	1.98	0.69	0.69	2
1/2	1/4	59784	2.30	0.88	0.56	1
1/2	3/8	59786	2.39	0.88	0.69	1

Bulkhead Union



Tube O.D. in	Part Number	A in	B in	C in	D in	E in
1/8	58222	1.64	9/16	0.66	0.50	11/16
5/32	58211	1.70	9/16	0.69	0.50	11/16
1/4	58244	1.74	5/8	0.74	0.56	3/4
5/16	58255	1.91	7/8	0.80	0.75	1
3/8	58266	2.14	7/8	0.96	0.75	1
1/2	58288	2.68	1-1/8	1.13	1.00	1-1/4

As a full service tubing extruder, Nycoil can supply longer continuous (no splices) lengths than our "standard" offerings as shown in this catalog. For example, we can supply in excess of 25,000 continuous feet of small diameter tubing on our largest reels. In addition, we will extrude "custom" size (inside and outside diameter) tubing, specific colors, provide special cut lengths or bond any size tubing in any color sequence to meet your requirements. Give us a call with your specifications for a quotation!

